



1/4"
to
1/2"

Direct Drive Safety Reel

NOW in a **Pit Bull** COMPACT SIZE



COMPACT PBC

to handle single 1/4" to 1/2" I.D. hose

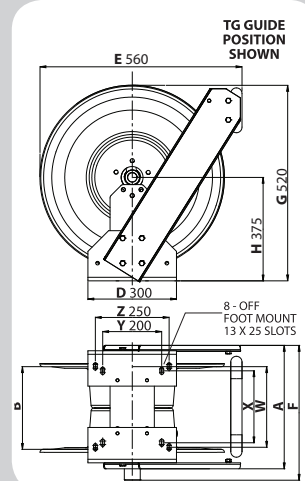
- Air, Electric or Hydraulic Direct Drive
- Stainless Steel Full Flow Hub
- Stainless Steel Fasteners
- Stainless Steel Hose Guide
- Standard Full Flow 90° Swivel Inlet/Outlet

FEATURES

- 1/2" Female NPT Threads
 - Pressures to 344 bar / 5000 psi
 - Temperatures from -7°C to +204°C
- Consult factory for other pressures & temperatures*

USED FOR

- Lubrication
- Air / Water
- Wash Down
- Air Tools
- High Pressure Grease



*** w, x, y & z indicate mounting holes (Custom mounting holes available)

COMPACT MODEL PBC	HOSE CAPACITY (m) I.D. 1/2" (13mm) O.D. 7/8" (22mm)	MAX. PRESSURE (BarG)	GUIDE ARM	APPROX. WEIGHT (KG) NET	REEL DIMENSIONS*** (mm)							
					A	B	E	F AIR	F HYD	G	W	X
PBC15-220-475	39	310	SINGLE	56	265	220	560	370	380	520	140	110
PBC15-220-475	39	310	DUAL	67	360	220	560	370	380	520	215	185
PBC15-270-475	47	310	SINGLE	57	300	250	560	375	385	520	170	140
PBC15-270-475	47	310	DUAL	67	345	255	560	375	385	520	256	226
PBC15-290-475	52	310	DUAL	66	425	280	560	465	475	520	275	245
PBC15-355-475	65	310	DUAL	70	485	350	560	535	535	520	335	304
PBC15-425-475	82	310	DUAL	78	560	430	560	575	575	520	410	380

ORDERING EXAMPLE: Air rewind reel to handle 39 metres of 1/2" I.D. hose with TG single guide arm

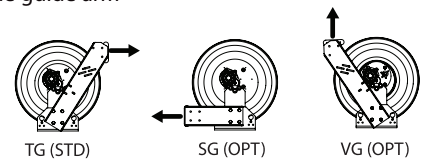
Order as follows: **APBC15-220-475TGS-5K**

OPTIONAL EXTRAS:

- 'Hand crank rewind mode' emergency override integrated within gearbox
- 'Free wheel mode' bypass electrical motor for easy payout
- Flat Winder® level wind system for easy hose layering on spool
- Wireless remote control rewind requires less personnel for hose storage duties

NOTES:

1. Specifications subject to change without notice.
2. Other sizes, from standard components, available upon request.
3. Weights shown in table are for air rewind models.
ADD (kgs): Electric 3 kg
Hydraulic 1.4 kg
4. Specify if evacuation/suction application prior
5. When ordering, prefix model number with: **A** = Air **E** = Electric **H** = Hydraulic
6. **Be sure to check dimensions and weight prior to ordering.**



AVAILABLE HOSE GUIDE POSITIONS

NOTE:

Air motor must have filtered / lubricated air supply. Install reel in attitude to prevent water penetration of air motor exhausts.

Flexible Connectors must be fitted between supply line to hose reel inlet swivel joint.



3/4"

Direct Drive Safety Reel

NOW in a **Pit Bull** COMPACT SIZE



COMPACT PBC

to handle single 3/4" I.D. hose

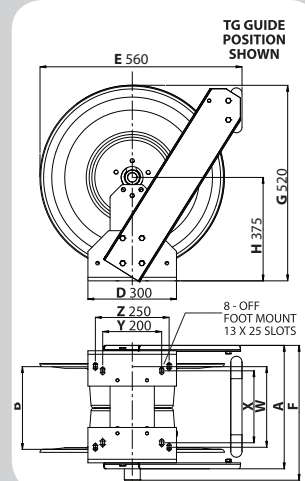
- Air, Electric or Hydraulic Direct Drive
- Stainless Steel Full Flow Hub
- Stainless Steel Fasteners
- Stainless Steel Hose Guide
- Standard Full Flow 90° Swivel Inlet/Outlet

FEATURES

- 3/4" Female NPT Threads
 - Pressures to 310 bar / 4500 psi
 - Temperatures from -40°C to +121°C
- Consult factory for other pressures & temperatures*

USED FOR

- Fuel Delivery*
- Air/Water
- Waste Oil Evacuation**
- Bulk Transfer Grease
- Coolant



*** w, x, y & z indicate mounting holes (Custom mounting holes available)

COMPACT MODEL PBC	HOSE CAPACITY (m)	MAX. PRESSURE (BarG)	GUIDE ARM	APPROX. WEIGHT (KG)	REEL DIMENSIONS*** (mm)							
	I.D. 3/4" (19mm) O.D. 1-9/32" (33mm)				NET	A	B	E	F AIR	F HYD	G	W
PBC20-220-475	19	310	SINGLE	56	265	220	560	370	380	520	140	110
PBC20-220-475	19	310	DUAL	67	360	220	560	370	380	520	215	185
PBC20-270-475	22	310	SINGLE	57	300	250	560	375	385	520	170	140
PBC20-270-475	22	310	DUAL	67	345	255	560	375	385	520	256	226
PBC20-290-475	25	310	DUAL	66	425	280	560	465	475	520	275	245
PBC20-355-475	31	310	DUAL	70	485	350	560	535	535	520	335	304
PBC20-425-475	41	310	DUAL	78	560	430	560	575	575	520	410	380

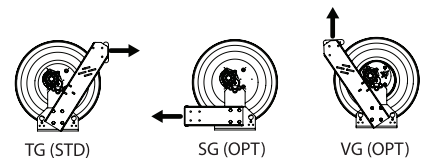
ORDERING EXAMPLE: Air rewind reel to handle 19 metres of 3/4" I.D. hose with TG single guide arm
Order as follows: **APBC20-220-475TGS-4.5K**

OPTIONAL EXTRAS:

- 'Hand crank rewind mode' emergency override integrated within gearbox
- 'Free wheel mode' bypass electrical motor for easy payout
- Flat Winder® level wind system for easy hose layering on spool
- Wireless remote control rewind requires less personnel for hose storage duties

NOTES:

1. Specifications subject to change without notice.
2. Other sizes, from standard components, available upon request.
3. Weights shown in table are for air rewind models.
ADD (kgs): Electric 3 kg
Hydraulic 1.4 kg
4. Specify if evacuation/suction application prior
5. When ordering, prefix model number with: **A** = Air **E** = Electric **H** = Hydraulic
6. **Be sure to check dimensions and weight prior to ordering.**



AVAILABLE HOSE GUIDE POSITIONS

NOTE:

Air motor must have filtered / lubricated air supply. Install reel in attitude to prevent water penetration of air motor exhausts.

Flexible Connectors must be fitted between supply line to hose reel inlet swivel joint.

BEFORE ORDERING:

- * Specify fuel type
- ** Specify if evacuation suction application prior.



MELBOURNE, AUSTRALIA
P +61 (0)3 9583 2368 sales@reeltech.com.au

NEW ZEALAND / PACIFIC RIM
P +64 (0)7 839 6444 sales@reeltech.co.nz



3/4"
to
1"

Direct Drive Safety Reel

NOW in a **Pit Bull** COMPACT SIZE



COMPACT PBC

to handle single 3/4" to 1" I.D. hose

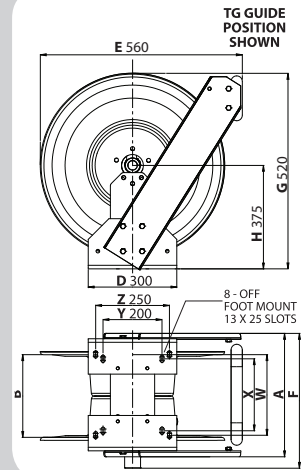
- Air, Electric or Hydraulic Direct Drive
- Stainless Steel Full Flow Hub
- Stainless Steel Fasteners
- Stainless Steel Hose Guide
- Standard Full Flow 90° Swivel Inlet/Outlet

FEATURES

- 1" Female NPT Threads
 - Pressures to 207 bar / 3000 psi
 - Temperatures from -51°C to +121°C
- Consult factory for other pressures & temperatures

USED FOR

- Fuel Delivery*
- Air/Water
- Waste Oil Evacuation**
- Bulk Transfer Grease
- Coolant



*** w, x, y & z indicate mounting holes (Custom mounting holes available)

COMPACT MODEL PBC	HOSE CAPACITY (m)		MAX. PRESSURE (BarG)	GUIDE ARM	APPROX. WEIGHT (KG)	REEL DIMENSIONS*** (mm)								
	I.D. 3/4" (19mm)	I.D. 1" (25mm)				NET	A	B	E	F AIR	F HYD	G	W	X
	O.D. 1-9/32" (33mm)	O.D. 1-9/16" (40mm)												
PBC25-220-475	19	10	207	DUAL	54	265	220	560	370	380	520	140	110	
PBC25-270-475	22	12	207	DUAL	55	300	250	560	375	385	520	170	140	
PBC25-290-475	25	14	207	DUAL	64	425	280	560	465	475	520	275	245	
PBC25-355-475	31	16	207	DUAL	68	485	350	560	535	535	520	335	304	
PBC25-425-475	41	20	207	DUAL	76	560	430	560	575	575	520	410	380	

ORDERING EXAMPLE: Air rewind reel to handle 14 metres of 1" I.D. hose with TG dual guide arm

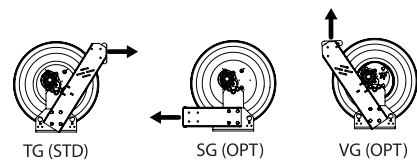
Order as follows: **APBC25-290-475TGD-3K**

OPTIONAL EXTRAS:

- 'Hand crank rewind mode' emergency override integrated within gearbox
- 'Free wheel mode' bypass electrical motor for easy payout
- Flat Winder® level wind system for easy hose layering on spool
- Wireless remote control rewind requires less personnel for hose storage duties

NOTES:

1. Specifications subject to change without notice.
2. Other sizes, from standard components, available upon request.
3. Weights shown in table are for air rewind models.
ADD (kgs): Electric 3 kg
Hydraulic 1.4 kg
4. Specify if evacuation/suction application prior
5. When ordering, prefix model number with: **A** = Air **E** = Electric **H** = Hydraulic
6. **Be sure to check dimensions and weight prior to ordering.**



AVAILABLE HOSE GUIDE POSITIONS

NOTE:

Air motor must have filtered / lubricated air supply. Install reel in attitude to prevent water penetration of air motor exhausts.

Flexible Connectors must be fitted between supply line to hose reel inlet swivel joint.

BEFORE ORDERING:

- * Specify fuel type
- ** Specify if evacuation suction application prior.



MELBOURNE, AUSTRALIA
P +61 (0)3 9583 2368 sales@reeltech.com.au

NEW ZEALAND / PACIFIC RIM
P +64 (0)7 839 6444 sales@reeltech.co.nz