

C  
10.5"  
267

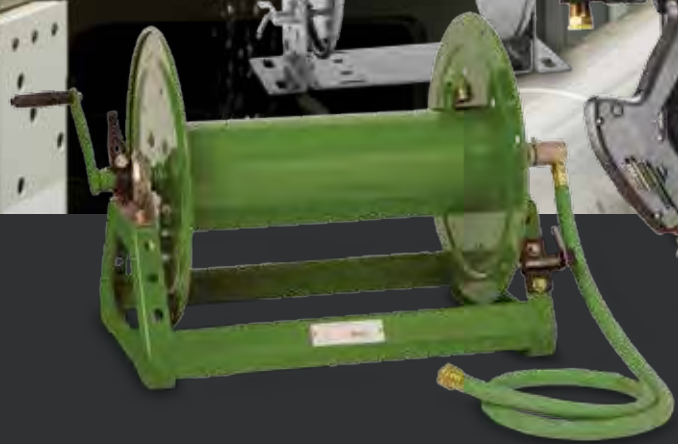


**Hannay Reels®**  
The reel leader.

# Spray and Pressure Washing Hose Reels

Pressure Washing	Steam Cleaning	Spray Operations	Washdown	Maintenance
Auto Washing	Processing Plants	Grounds Maintenance	Pest Control	Tree Spraying
Vehicle Maintenance	Lawn Care Service	Agriculture		

**Distributed by REEL TECH**



**You Can't Buy  
A Better Reel.**

Family owned and operated since 1933

# CONTENTS

Hannay hose reels come in all sizes and capacities.

Reel Type	Page
Hannay Reels Sales Policies	3
<b>Manual Pressure Washing Hose Reels</b>	
Series PW-2 and Optional Mounting Kits	4
<b>Spring Rewind Reels</b>	
Series N700	5
<b>Compact Manual Rewind Reels</b>	
Series 1000	6
<b>Portable Reels on Wheels</b>	
Series 1100/AT1200	7
<b>Manual or Power Rewind Reels</b>	
Series 1500	8
Series 1800	9
Series 2000 (Dual Hose)	10
Series 4000	11
Series 6000	12-13
<b>Remote Controlled Power Rewind Reels</b>	
Series RM	14
Hose Reel Spec Worksheet	15



**Only one reel can handle the pressure.**

From fertilizing lawns to steam cleaning sidewalks to washing down equipment, you need durable, long-lasting equipment to get the job done. Use our reels to keep hoses organized and out of the way to prevent accidents, and to ensure quicker deployment and pick-up, so you can move to the next job site faster.

We offer thousands of standard reels – or can create custom designs – that are built strong to last long, require minimal maintenance, and provide a lifetime of value. Every reel we make is designed and built of the highest quality materials specifically for your industry and to your exact specs – never retrofitted to the job – so you can expect unsurpassed fit and function.

**Uses:**

- Pressure washing
- Steam cleaning
- Spray operations
- Washdown
- Grounds maintenance
- Auto washing
- Pest control
- Tree spraying



Mounting Hole Sizes	
<b>N Series Reels</b>	7/16" wide x 7/8" long slot running front to back
<b>Pressed Frame Reels and Channel Framed Reels</b>	7/16" wide x 7/8" long slot running left to right
<b>Series 1000</b>	5/16" wide x 7/8" long slot
<b>Series 1500, 1800, 2000, 4000</b>	13/32" round holes



# Hannay Reels **Sales Policies**

## Our Guarantee and Service Policy - 2 Year Warranty

Equipment manufactured by Hannay Reels, Inc. is guaranteed for **2 years** from date of shipment when installed according to our instructions, given proper care, and used for the purpose for which it is designed.

Equipment which proves to be defective upon our inspection will be replaced free of charge, including freight to the customer. Our responsibility ceases upon delivery to any common carrier and we do not, unless previously instructed, insure shipments beyond point of delivery to such carrier. No material will be accepted for return without a return goods authorization. No allowance will be made for labor charges incurred in making exchanges, replacements or repairs.

**Components (including hose and cable) which are manufactured by other vendors will be subject to the warranty terms of their own manufacturers.**

**Also excluded from the general guarantee are normal wear items (including seals, motor brushes, and paint finish).**

We reserve the right to modify or alter materials, dimensions, design, and construction when necessary to improve the performance of the reel and/or accessories, or to meet delivery requirements.

**Failure to use a properly sized circuit breaker with any electric rewind motor will void warranty on motor.**

**Failure to use a flexible connector with any live hose reel will void warranty on swivel joint.**

We expressly disclaim any liability for damage or injuries resulting from the use, operation, service, maintenance or failure of equipment.

## Notice on Reel Finish

Standard finish on Hannay reels is a high performance modified acrylic enamel paint. Standard color is metallic graphite. Other colors available at no additional cost include red, white, black, and primer.

Most of the major components on standard reels are e-coated prior to receiving final topcoat paint finish. This combination of e-coat and enamel topcoat will meet the finish requirements of most customer applications and environments.

In cases where requirements cannot be met with the standard finish, Hannay Reels can coat any model reel with an automotive primer, allowing application of final coating at your facility. Alternatively, Hannay Reels can provide a quote for matching a customer-provided paint specification. For further information, please contact your Hannay Reels sales engineer and a special paint request form will be sent to you.

For environments where no paint finish is suitable, we offer both aluminum and stainless steel (304 grade) construction on most reel models.

## Return Goods Policy

All Hannay reels are built to order. The parts and components are ordered or placed into production as soon as the order is written.

In order to keep the number of returned goods at a minimum, we ask that you use the Hannay Reels Spec Worksheet and/or Accessory Order Form when specifying reels with us.

**Be sure to include any size and/or weight limitations for your installation.**

In the event that an item does need to be returned for credit, repair or replacement, prior approval **must** be obtained from Hannay Reels, Inc. Upon your request, we will fax a Return Goods Authorization form. A signed copy of this form must accompany the material when returned to us.

All material must be returned prepaid, unless otherwise noted on our Return Goods Authorization. **No** return will be accepted that has been damaged due to improper return packaging, tampered with or altered from its original condition. **Equipment specially built to customer specifications and requirements is not subject to cancellation or returnable for credit under any conditions.**

Our restocking and handling fee is a MINIMUM of 25% for standard catalog reels and parts.

No material will be accepted for credit when returned without permission. Orders for equipment incorporating variations from catalog listed items are special and are not subject to return.

No allowance will be made for labor or mileage charges incurred in making exchanges, replacements or repairs.



# Series PW-2

- Pressure Washing • Steam Cleaning • Spray Operations • Washdown
- Optional Mounting Kits

**To handle single 3/8" or 1/2" I.D. hose.**

- Permanent direct crank rewind, with adjustable split bearing brake assembly.
- Standard inlet: full flow swivel joint with 1/2" NPT fitting.
- Standard outlet: 1/2" female NPT fitting, supplied with 1/2" MNPT to 3/8" FNPT reducing bushing. Other sizes and/or threads available, must specify.
- Pressures up to 4000 psi (276 bar). Flow rate of over 12 gpm @ 15 fps.
- Product temperatures from +20°F to +400°F (-7°C to +204°C). Consult factory for other temperatures.
- Captive (4-sided) hose guide roller assembly.
- Black powder coated finish.
- Optional stainless steel construction and internals – consult factory.



**PW-2 Series**  
Optional PWK-200 mounting kit shown

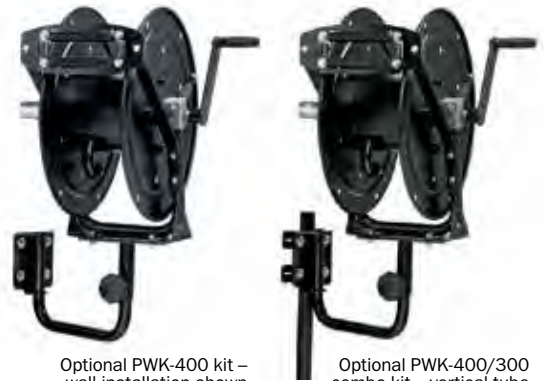
**Optional Mounting Kits**

Wall, floor, pivoting and non-pivoting options are available. Combination kits also available depending on installation. Must specify mounting position when ordering mounting kits (kits include hardware). Universal mounting pattern (2.75" x 5").

**PWK-200** – Rigid (non-pivoting) wall mounting. Floor mounting available, consult factory.

**PWK-300** – Mounting to 1" round tubing. Other tubing sizes available, consult factory.

**PWK-400** – Wall mounting - ability to pivot the reel. Includes pivoting platform, knob, and mounting hardware. (Mounting hole pattern: 2.75" x 2.75").



Optional PWK-400 kit – wall installation shown

Optional PWK-400/300 combo kit – vertical tube installation shown

**PARTS DRAWING – ISO 193**

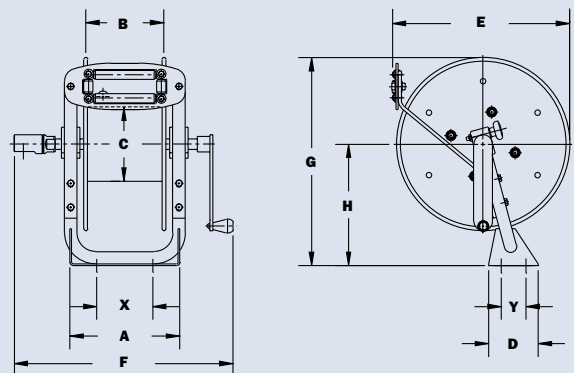
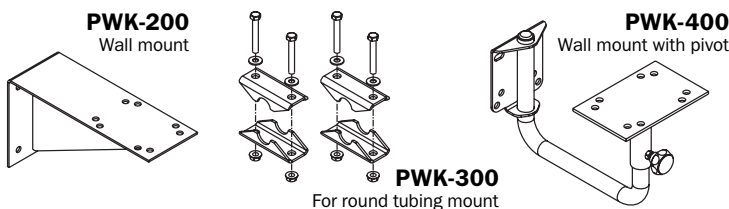
Model Number	Hose Capacity of Reel feet m			Approx. Weight Crank Rewind lb. kg			Reel Dimensions*** in. mm									
	I.D. in. mm	3/8 10	1/2 13	NET	UPS/ FedEx SHIP Wt.	Freight SHIP Wt.	A	B	C	D	E	F	G	H	X	Y
	O.D. in. mm	3/4 19	7/8 22				9	6	6	4	16.75	17	18.25	10	5	2.75
<b>PW-2</b>		125 38	75 23	26 12	58* 26	32 15	229	152	152	102	425	432	464	254	127	70

**Notes:**

1. Specifications subject to change.
2. **Finish:** Refer to page 3.
3. **Be sure to check dimensions and weights prior to ordering.**

**NOTICE:** A flexible connector must be used between the inlet pipe and the inlet swivel joint.  
\* When shipped as a parcel package (via FedEx or UPS Ground).  
\*\*\* X, Y indicate mounting holes. See page 2.

**MOUNTING KITS**



# Series N700

- Lubrication • Air/Water • Washdown
- Air Tools • General Industrial Applications

**To handle 1/4" through 1/2" I.D. hose.**

- Narrow frame and compact mounting base.
- Non-sparking ratchet assembly.
- Decutching arbor to prevent damage from reverse winding.
- Standard inlet: 90° balanced pressure swivel joint, 1/2" female NPT threads.
- Standard outlet: 1/2" female NPT threads.
- Standard pressures to 3000 psi (207 bar), available up to 10,000 psi (690 bar) – must specify.
- Temperatures from -60°F to +250°F (-51°C to +121°C), optional temperatures to +400°F (+204°C) – must specify.
- 4-way roller assembly.
- SR and VR roller positions: swivel joint is standard on the right. TR roller positions: swivel joint is standard on the left. Other configurations available, must specify.
- Constant tension is available – consult factory.



Standard configuration shown



**Optional Swivel Mounting Bracket**

Part No. 9908.9990. For N-Series spring retractable reels, available as a kit. Conditions apply, consult factory.

**PARTS DRAWING – ISO 79**

Model Number	Hose Capacity of Reel feet m				Approx. Weight lb. kg			Standard Roller Assy.	Reel Dimensions*** in. mm							
	I.D. in.	1/4	3/8	1/2	NET	UPS/ FedEx SHIP Wt.	Freight SHIP Wt.		A	B	C	E	F	G	H	X
	mm	6	10	13												
N716-14-16-8C	-	25	25	52	64*	87	N204	10	4	8	17.62	11.25	16.25	9.12	8	
	-	8	8	24	29	39		254	102	203	448	286	413	232	203	
N716-16-17-10.5C	-	35	35	55	67*	90	N204	10	4	10.5	18.5	11.25	17	9.12	8	
	-	11	11	25	30	41		254	102	267	470	286	432	232	203	
† N716-17-18-8L	-	50†	50†	63	75*	105	N204	10	4	8	19.5	11.25	17.5	9.12	8	
	-	15†	15†	29	34	48		254	102	203	495	286	445	232	203	
N716-19-20-10.5J	-	50	50	64	82*	99	N204	10	4	10.5	20.75	11.25	20	10.62	8	
	-	15	15	29	37	45		254	102	267	527	286	508	270	203	
N716-23-24-15.5J	-	65	65	79	92*	114	N204	10	4	15.5	23.75	11.25	24	12.62	8	
	-	20	20	36	42	52		254	102	394	603	286	610	321	203	
N716-23-24-15.5G	100	75	65	94	101*	129	N204	10	4	15.5	23.75	11.25	24	12.62	8	
	30	23	20	43	46	59		254	102	394	603	286	610	321	203	
N716-25-26-15.5B	-	75	75	90	-	125	N204	10	4	15.5	25.25	11.25	26	13.62	8	
	-	23	23	41	-	57		254	102	394	641	286	660	346	203	
N718-25-26-15.5G	-	100	100	96	-	131	N206	12	6	15.5	25.25	13.25	26	13.62	10	
	-	30	30	44	-	59		305	152	394	641	337	660	346	254	

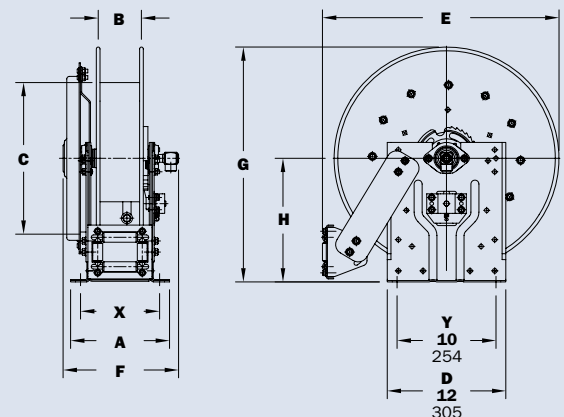
**Notes:**

**A hose stop is necessary to keep spring from unwinding.**

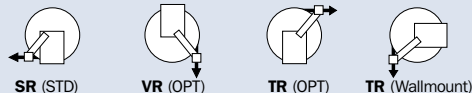
1. Specifications subject to change.
2. Reel models and capacities shown are for standard drag applications; for vertical lift applications, consult factory.
3. Other sizes, from standard components, available on request.
4. **Finish:** Refer to page 3.

**5. Be sure to check dimensions and weights prior to ordering.**

**NOTICE:** A flexible connector must be used between the inlet pipe and the inlet swivel joint.  
 \* Dimensional weight may apply when shipped as a parcel package (via FedEx or UPS Ground).  
 \*\*\* X, Y indicate mounting holes. See page 2.  
 †Capacity based on low pressure air hose only. Not for vertical lift applications.



**Available Roller Positions**



# Series 1000

- Pressure Washing • Washdown
- Spray Operations • Air

**To handle single 1/4", 3/8" or 1/2" I.D. hose.**

- Lightweight, compact with an e-coated frame.
- Direct crank rewind permanently attached.
- Adjustable cam-lock brake standard.
- Exterior mounting holes for easier installation.
- Redesigned (and field installable) pin lock.
- Standard inlet: 90° ball bearing swivel joint, 1/2" female NPT threads.
- Standard outlet: 3/8" female NPT threads, 1/2" available upon request.
- Pressures to 3000 psi (207 bar).
- Temperatures from +20°F to +400°F (-7°C to +204°C).



Standard configuration shown with optional pin lock

**PARTS DRAWING – ISO 165**

Model Number	Hose Capacity of Reel feet m				Approx. Weight Crank Rewind lb. kg			Reel Dimensions*** in. mm			
	I.D. in.	1/4	3/8	1/2	NET	UPS/ FedEx SHIP Wt.	Freight SHIP Wt.	A	B	F	X
	mm	5/8	3/4	7/8							
1014-14-16		100	75	40	23	42*	58	11.5	6	18.5	10
		31	23	12	10	19	26	292	152	470	254
1016-14-16		150	100	70	24	42*	59	13.5	8	20.5	12
		46	31	21	11	19	27	343	203	521	305
1020-14-16		250	175	100	25	42*	60	17.5	12	24.5	16
		76	53	30	11	19	27	445	305	622	406

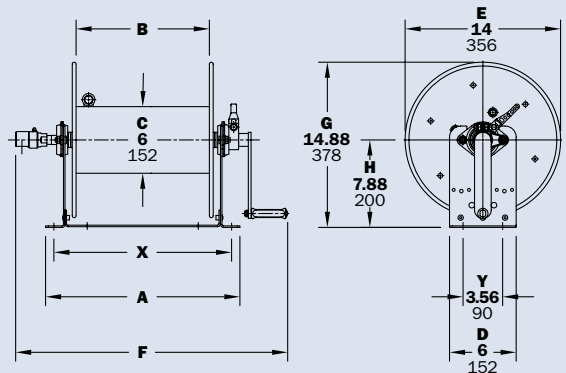
**Notes:**

1. Specifications subject to change.
2. Other sizes, from standard components, available on request.
3. Finish: Refer to page 3.
4. Be sure to check dimensions and weights prior to ordering.

**NOTICE:** A flexible connector must be used between the inlet pipe and the inlet swivel joint.

\* Dimensional weight may apply when shipped as a parcel package (via FedEx or UPS Ground).

\*\*\* X, Y indicate mounting holes. See page 2.



# Series 1100/AT1200

- Grounds Maintenance • Restaurants/Hotels
- Washdown Operations • Home Use

## To handle 3/8" through 1" I.D. hose.

- Continuous flow reels with swivel joint inlet, fluid hub, outlet riser.
- Direct crank rewind and cam-lock brake.
- One-piece foot and removable steel handlebar.
- Permanently attached crank.
- **GH** prefix to model number (e.g., GH1100, GHAT1200) includes garden hose thread on outlet, 5' lead-in hose, hose end clips.

### Model 1100

- Standard inlet: 90° ball bearing swivel joint, 1/2" female NPT threads.
- Standard outlet: 1/2" female NPT threads.
- Pressures to 3000 psi (207 bar).
- Temperatures from +20°F to +400°F (-7°C to +204°C).
- Rubber tires standard.

### Model AT1200

- Standard inlet: 90° balanced pressure swivel joint, 1" female NPT threads.
- Standard outlet: 1" female NPT threads.
- Standard pressures to 2000 psi (138 bar), available up to 4000 psi (276 bar) – must specify.
- Temperatures from -40°F to +250°F (-40°C to +121°C).
- Pneumatic tires standard.



GH1100 configuration shown in optional green powder coat finish



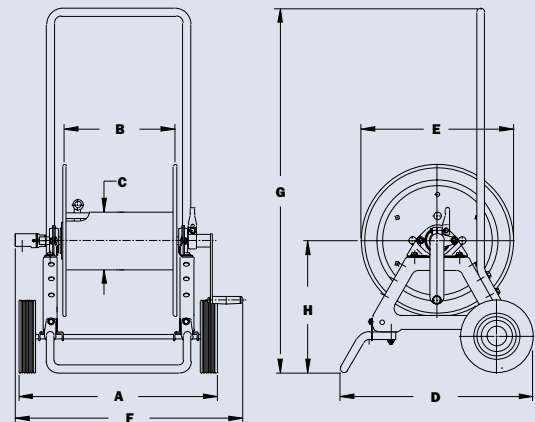
GHAT1200 configuration shown

## PARTS DRAWING – 1100 ISO 48; AT1200 ISO 87

Model Number	Hose Capacity of Reel feet m						Approx. Weight lb. kg		Reel Dimensions in. mm							
	I.D. in. mm	3/8	1/2	5/8	3/4	1	NET	SHIP	A	B	C	D	E	F	G	H
	O.D. in. mm	3/4	7/8	1	1-9/32	1-9/16										
1100	275	175	125	-	-	-	47	100*	21.5	12	6	21	16.5	24.62	39	13.81
	84	53	38	-	-	-	21	46	546	305	152	533	419	625	991	351
AT1200	-	350	250	150	100	100	86	147*	24.88	11.5	8	23.31	22.75	26.5	40	17.25
	-	107	76	46	30	30	39	67	632	292	203	592	578	673	1016	438

### Notes:

1. Specifications subject to change.
  2. Some assembly required.
  3. **Finish:** Refer to page 3.
  4. **Be sure to check dimensions and weights prior to ordering.**
- \* Dimensional weight applies when shipped as a parcel package (via FedEx or UPS Ground).



GH1100 shown



# Series 1500

- Lawn Care • Pest Control • Pressure Washing
- Agriculture • Steam Cleaning

**To handle single 1/4" through 5/8" I.D. hose.**

- Lightweight, compact reels designed for long lengths of hose in manual and power rewind.
- Direct crank rewind is permanently attached.
- Chain and sprocket drive powered by electric, hydraulic or compressed air motor.
- Manual reels include cam-lock drag brake, spring actuated pin lock.
- Standard inlet: 90° ball bearing swivel joint, 1/2" female NPT threads.
- Standard outlet: 1/2" female NPT threads.
- Standard pressures to 3000 psi (207 bar), available up to 10,000 psi (690 bar) – must specify.
- Temperatures from +20°F to +400°F (-7°C to +204°C).
- Rollers and roller mounting brackets are accessory items. Specify roller position.
- Optional stainless steel construction and internals – consult factory.
- Optional Hose Guide Kit available (see Ordering & Accessory Guide HO415-OA, page 16).



Electric rewind  
Standard configuration with optional HG-15 hose guide shown



Crank rewind  
Standard configuration shown



**Optional External Mounting Brackets**

Part No. 9906.0027.  
Add 2-1/2" to the X dimensions shown in the chart.

**PARTS DRAWING – ISO 90 (POWER); ISO 179 (MANUAL)**

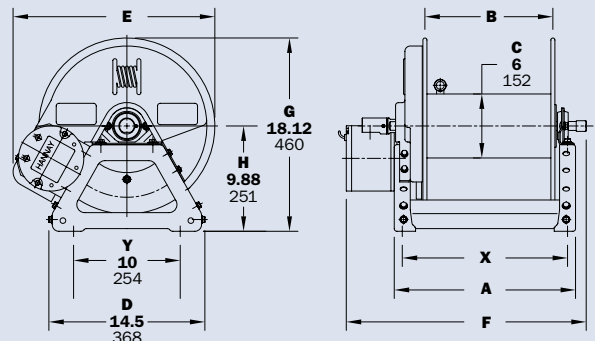
Model Number <small>For power rewind see Note 5</small>	Hose Capacity of Reel feet m					Approx. Weight Crank Rewind lb. kg <small>see Note 3</small>			Reel Dimensions*** in. mm						
	I.D. in. mm	1/4 6	3/8 10	1/2 13	5/8 16	NET	UPS/ FedEx SHIP Wt.	Freight SHIP Wt.	A	B	E CRANK	E POWER	F CRANK	F POWER	X
	O.D. in. mm	5/8 16	3/4 19	7/8 22	1 25										
<b>1514-17-18</b>		<b>175</b> 53	<b>125</b> 38	<b>75</b> 23	<b>50</b> 15	<b>27</b> 12	<b>65*</b> 30	<b>62</b> 28	<b>11</b> 279	<b>6</b> 152	<b>16.5</b> 419	<b>19</b> 483	<b>18.5</b> 470	<b>16.5</b> 419	<b>9.5</b> 241
<b>1520-17-18</b>		<b>350</b> 107	<b>275</b> 84	<b>175</b> 53	<b>125</b> 38	<b>29</b> 13	<b>80*</b> 36	<b>64</b> 29	<b>17</b> 432	<b>12</b> 305	<b>16.5</b> 419	<b>19</b> 483	<b>24.5</b> 622	<b>22.5</b> 572	<b>15.5</b> 394
<b>1526-17-18</b>		<b>500</b> 152	<b>400</b> 122	<b>300</b> 91	<b>200</b> 61	<b>31</b> 14	<b>98*</b> 45	<b>66</b> 30	<b>23</b> 584	<b>18</b> 457	<b>16.5</b> 419	<b>19</b> 483	<b>30.5</b> 775	<b>28.5</b> 724	<b>21.5</b> 546
<b>1530-17-18</b>		-	<b>500</b> 152	<b>375</b> 114	<b>275</b> 84	<b>33</b> 15	<b>110*</b> 50	<b>68</b> 31	<b>27</b> 686	<b>22</b> 559	<b>16.5</b> 419	<b>19</b> 483	<b>34.5</b> 876	<b>32.5</b> 826	<b>25.5</b> 648
<b>1536-17-18</b>		-	-	<b>475</b> 145	<b>350</b> 107	<b>35</b> 16	<b>129*</b> 59	<b>70</b> 32	<b>33</b> 838	<b>28</b> 711	<b>16.5</b> 419	<b>19</b> 483	<b>40.5</b> 1029	<b>38.5</b> 978	<b>31.5</b> 800

**Notes:**

- Specifications subject to change.
- Upon request, reels can be supplied with drum lengths other than shown.
- Weights shown in chart are for crank rewind models. ADD these amounts for power rewind models (does not apply to FedEx or UPS):
 

	Net lbs/kg	Ship lbs/kg
<b>Electric</b>	<b>18/8.2</b>	<b>18/8.2</b>
<b>Hydraulic</b>	<b>15/6.8</b>	<b>15/6.8</b>
<b>Air</b>	<b>15/6.8</b>	<b>15/6.8</b>
- Dimension "F" is the overall length of standard model reels.
- When ordering power rewind models, prefix model number with:
  - A** = Air Rewind – Supplied with control valve and 18" air hose.

- E** = Electric Rewind – 12v and 24v DC rewind reels are supplied with switch and solenoid; 115v AC rewind reels are not supplied with switch but can be ordered separately.
  - HD** = Hydraulic Rewind – Not supplied with control valve.
  - 6. Manual rewind available in RT or LB configurations only.
  - 7. **Finish:** Refer to page 3.
  - 8. **Be sure to check dimensions and weights prior to ordering.**
  - 9. Some roller options may prohibit the use of our molded chain guard.
- NOTICE:** A flexible connector must be used between the inlet pipe and the inlet swivel joint.  
\* Dimensional weight applies when shipped as a parcel package (via FedEx or UPS Ground).  
\*\*\* X, Y indicate mounting holes. See page 2.



Power rewind shown





# Series 1800

• Air Compressors • Washdown • Lawn Care

**To handle single 5/8" or 3/4" I.D. hose.**

- Lightweight, compact reels designed for long lengths of hose in manual and power rewind.
- Direct crank rewind is permanently attached.
- Chain and sprocket drive powered by electric, hydraulic or compressed air motor.
- Manual reels include cam-lock drag brake, spring actuated pin lock.
- Standard inlet: 90° ball bearing swivel joint, 1" female NPT threads.
- Standard outlet: 3/4" female NPT threads.
- Standard pressures to 2000 psi (138 bar), available up to 4000 psi (276 bar) – must specify.
- Temperatures from -40°F to +250°F (-40°C to +121°C).
- Optional stainless steel construction and internals – consult factory.
- Rollers and roller mounting brackets are accessory items. Specify roller position.



Electric rewind  
Standard configuration shown



**Optional External Mounting Brackets**

Part No. 9906.0027.  
Add 2-1/2" to the X dimensions shown in the chart.

**PARTS DRAWING – ISO 136 (POWER); ISO 180 (MANUAL)**

Model Number <small>For power rewind see Note 5</small>	Hose Capacity of Reel <small>feet m</small>			Approx. Weight Crank Rewind <small>lb. kg see Note 3</small>			Reel Dimensions*** <small>in. mm</small>						
	I.D. in. <small>mm</small>	5/8 <small>16</small>	3/4 <small>19</small>	NET	UPS/ FedEx SHIP Wt.	Freight SHIP Wt.	A	B	E CRANK	E POWER	F CRANK	F POWER	X
	O.D. in. <small>mm</small>	1 <small>25</small>	1-9/32 <small>40</small>										
<b>1816-17-18</b>		<b>75</b> 23	<b>50</b> 15	<b>28</b> 13	<b>80*</b> 36	<b>63</b> 29	<b>13</b> 330	<b>8</b> 203	<b>16.5</b> 419	<b>19</b> 483	<b>23.38</b> 594	<b>18.5</b> 470	<b>11.5</b> 292
<b>1822-17-18</b>		<b>150</b> 46	<b>100</b> 30	<b>30</b> 14	<b>98*</b> 45	<b>65</b> 29	<b>19</b> 483	<b>14</b> 356	<b>16.5</b> 419	<b>19</b> 483	<b>29.38</b> 746	<b>24.5</b> 622	<b>17.5</b> 445
<b>1826-17-18</b>		<b>200</b> 61	<b>125</b> 38	<b>32</b> 15	<b>98*</b> 45	<b>67</b> 30	<b>23</b> 584	<b>18</b> 457	<b>16.5</b> 419	<b>19</b> 483	<b>33.38</b> 848	<b>28.5</b> 724	<b>21.5</b> 546
<b>1830-17-18</b>		<b>250</b> 76	<b>150</b> 46	<b>33</b> 15	<b>110*</b> 50	<b>68</b> 31	<b>27</b> 686	<b>22</b> 559	<b>16.5</b> 419	<b>19</b> 483	<b>37.38</b> 950	<b>32.5</b> 826	<b>25.5</b> 648
<b>1836-17-18</b>		<b>300</b> 91	<b>200</b> 61	<b>36</b> 16	<b>129*</b> 59	<b>71</b> 32	<b>33</b> 838	<b>28</b> 711	<b>16.5</b> 419	<b>19</b> 483	<b>43.38</b> 1102	<b>38.5</b> 978	<b>31.5</b> 800

**Notes:**

1. Specifications subject to change.
2. Upon request, reels can be supplied with drum lengths other than shown.
3. Weights shown in chart are for crank rewind models. ADD these amounts for power rewind models (does not apply to FedEx or UPS):

	Net lbs/kg	Ship lbs/kg
<b>Electric</b>	<b>18/8.2</b>	<b>18/8.2</b>
<b>Hydraulic</b>	<b>15/6.8</b>	<b>15/6.8</b>
<b>Air</b>	<b>15/6.8</b>	<b>15/6.8</b>

4. Dimension "F" is the overall length of standard model reels.
5. When ordering power rewind models, prefix model number with:

**A** = Air Rewind –  
Supplied with control valve and 18" air hose.

**E** = Electric Rewind –  
12v and 24v DC rewind reels are supplied with switch and solenoid; 115v AC rewind reels are not supplied with switch but can be ordered separately.

**HD** = Hydraulic Rewind –  
Not supplied with control valve.

6. Manual rewind available in RT or LB configurations only.
7. **Finish:** Refer to page 3.

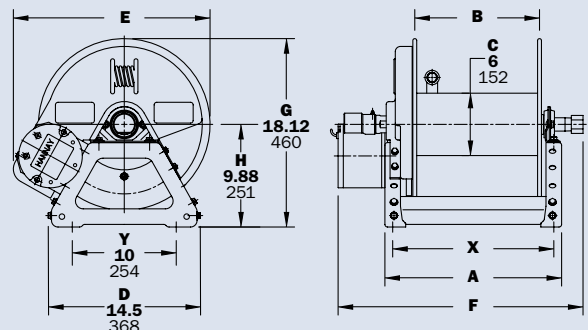
**8. Be sure to check dimensions and weights prior to ordering.**

9. Some roller options may prohibit the use of our molded chain guard.

**NOTICE:** A flexible connector must be used between the inlet pipe and the inlet swivel joint.

\* Dimensional weight applies when shipped as a parcel package (via FedEx or UPS Ground).

\*\*\* X, Y indicate mounting holes. See page 2.



Power rewind shown



# Series 2000 | Dual Hose

• Dual Agent Spray (Lawn Care or Pest Control)

**To handle dual 1/4" through 1/2" I.D. hose.**

- Two swivel joint inlets and two outlet risers to handle two equal lengths of hose.
- Chain-driven crank rewind or chain and sprocket rewind powered by an electric or compressed air motor.
- MX crank rewind reels have pinion brake as standard.
- Power rewind reels are not supplied with a brake.
- Standard inlets: 90° ball bearing swivel joints, 1/2" female NPT threads.
- Standard outlets: 1/2" female NPT threads.
- Standard pressures to 3000 psi (207 bar).
- Temperatures from +20°F to +400°F (-7°C to +204°C).
- Optional stainless steel construction and internals – consult factory.



Electric rewind Standard configuration shown



**Optional External Mounting Brackets**

Part No. 9906.0027.  
Add 2-1/2" to the X dimensions shown in the chart.

**PARTS DRAWING – ISO 112**

Model Number <small>For power rewind see Note 5</small>	Hose Capacity of Reel feet m				Approx. Weight Crank Rewind <sup>3</sup> lb. kg <small>see Note 3</small>			Reel Dimensions*** in. mm						
	I.D. in. mm	1/4 6	3/8 10	1/2 13	NET	UPS/ FedEx SHIP Wt.	Freight SHIP Wt.	A	B	E CRANK	E POWER	F CRANK	F POWER	X
	O.D. in. mm	5/8 16	3/4 19	7/8 22										
<b>2016-17-18</b>		<b>2/100</b>	<b>2/75</b>	<b>2/50</b>	<b>32</b>	<b>80*</b>	<b>67</b>	<b>13</b>	<b>8</b>	<b>18.5</b>	<b>19</b>	<b>21</b>	<b>20</b>	<b>11.5</b>
		2/31	2/23	2/15	15	36	30	330	203	470	483	533	508	292
<b>2020-17-18</b>		<b>2/175</b>	<b>2/125</b>	<b>2/75</b>	<b>34</b>	<b>98*</b>	<b>69</b>	<b>17</b>	<b>12</b>	<b>18.5</b>	<b>19</b>	<b>25</b>	<b>24</b>	<b>15.5</b>
		2/53	2/38	2/23	15	45	31	432	305	470	483	635	610	394
<b>2026-17-18</b>		<b>2/275</b>	<b>2/200</b>	<b>2/125</b>	<b>36</b>	<b>110*</b>	<b>71</b>	<b>23</b>	<b>18</b>	<b>18.5</b>	<b>19</b>	<b>31</b>	<b>30</b>	<b>21.5</b>
		2/84	2/61	2/38	16	50	32	584	457	470	483	787	762	546
<b>2030-17-18</b>		–	<b>2/250</b>	<b>2/175</b>	<b>37</b>	<b>129*</b>	<b>72</b>	<b>27</b>	<b>22</b>	<b>18.5</b>	<b>19</b>	<b>35</b>	<b>34</b>	<b>25.5</b>
		–	2/76	2/53	17	59	33	686	559	470	483	889	864	648
<b>2036-17-18</b>		–	<b>2/300</b>	<b>2/225</b>	<b>39</b>	<b>129*</b>	<b>74</b>	<b>33</b>	<b>28</b>	<b>18.5</b>	<b>19</b>	<b>41</b>	<b>40</b>	<b>31.5</b>
		–	2/91	2/69	18	59	34	838	711	470	483	1041	1016	800

**Notes:**

1. Specifications subject to change.
2. Upon request, reels can be supplied with drum lengths other than shown.
3. Weights shown in chart are for crank rewind models. ADD these amounts for power rewind models (does not apply to FedEx or UPS):

	Net lbs/kg	Ship lbs/kg
<b>Electric</b>	<b>18/8.2</b>	<b>18/8.2</b>
<b>Air</b>	<b>15/6.8</b>	<b>15/6.8</b>

4. Dimension "F" is the overall length of standard model reels. MX chain-drive crank models require 2" clearance to remove crank handle.
5. When ordering power rewind models, prefix model number with:

**A = Air Rewind –**  
Supplied with control valve and 18" air hose.

**E = Electric Rewind –**  
12v and 24v DC rewind reels are supplied with switch and solenoid; 115v AC rewind reels are not supplied with switch but can be ordered separately.

**MX = Chain-Driven Crank.**

6. **Finish:** Refer to page 3.

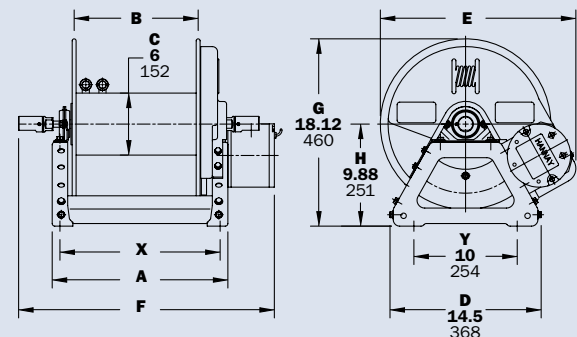
7. **Be sure to check dimensions and weights prior to ordering.**

8. Some roller options may prohibit the use of our molded chain guard.

**NOTICE:** A flexible connector must be used between the inlet pipe and the inlet swivel joint.

\* Dimensional weight applies when shipped as a parcel package (via FedEx or UPS Ground).

\*\*\* X, Y indicate mounting holes. See page 2.



Power rewind shown



# Series 4000

- Water Supply • Fire Protection
- Chemical Transfer

### To handle single 3/4" or 1" I.D. hose.

- Lightweight, compact reels designed for long lengths of hose in manual and power rewind.
- Direct crank rewind is removable.
- Chain and sprocket drive powered by electric, hydraulic or compressed air motor.
- Manual reels include cam-lock drag brake, spring actuated pin lock.
- Strap brake is standard on power rewind reels.
- Standard inlet: 90° ball bearing swivel joint, 1" female NPT threads.
- Standard outlet: 1" female NPT threads.
- Standard pressures to 2000 psi (138 bar), available up to 4000 psi (276 bar) – must specify.
- Temperatures from -60°F to +250°F (-51°C to +121°C).
- Optional stainless steel construction and internals – consult factory.
- Rollers and roller mounting brackets are accessory items. Specify roller position.



Electric rewind Standard configuration shown



### Optional External Mounting Brackets

Part No. 9906.0027.  
Add 2-1/2" to the X dimensions shown in the chart.

### PARTS DRAWING – ISO 68

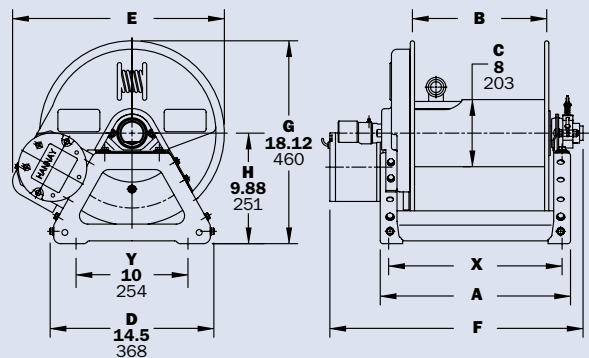
Model Number For power rewind see Note 5	Hose Capacity of Reel feet m			Approx. Weight Crank Rewind lb. kg see Note 3			Reel Dimensions*** in. mm						
	I.D. in. mm	3/4 19	1 25	NET	UPS/ FedEx SHIP Wt.	Freight SHIP Wt.	A	B	E CRANK	E POWER	F CRANK	F POWER	X
	O.D. in. mm	1-9/32 33	1-9/16 40										
<b>4018-17-18</b>	50 15	35 11	36 16	80* 36	71 32	15 381	10 254	16.5 419	19 483	27 686	20.5 521	13.5 343	
<b>4024-17-18</b>	100 30	50 15	46 21	98* 45	81 37	21 533	16 406	16.5 419	19 483	33 838	26.5 673	19.5 495	
<b>4030-17-18</b>	150 46	75 23	57 26	110* 50	92 42	27 686	22 559	16.5 419	19 483	39 991	32.5 826	25.5 648	
<b>4038-17-18</b>	200 61	100 30	70 32	-	124 56	35 889	30 762	16.5 419	19 483	47 1194	40.5 1029	33.5 851	

#### Notes:

- Specifications subject to change.
- Upon request, reels can be supplied with drum lengths other than shown.
- Weights shown in chart are for crank rewind models. ADD these amounts for power rewind models (does not apply to FedEx or UPS):
 

	Net lbs/kg	Ship lbs/kg
Electric	18/8.2	18/8.2
Hydraulic	15/6.8	15/6.8
Air	15/6.8	15/6.8
- Dimension "F" is the overall length of standard model reels. Crank rewind reels require 3-1/2" clearance to remove or install crank handle.
- When ordering power rewind models, prefix model number with:
  - A = Air Rewind – Supplied with control valve and 18" air hose.

- E = Electric Rewind – 12v and 24v DC rewind reels are supplied with switch and solenoid; 115v AC rewind reels are not supplied with switch but can be ordered separately.
  - HD = Hydraulic Rewind – Not supplied with control valve.
  - 6. Finish: Refer to page 3.
  - 7. Be sure to check dimensions and weights prior to ordering.
  - 8. Some roller options may prohibit the use of our molded chain guard.
- NOTICE:** A flexible connector must be used between the inlet pipe and the inlet swivel joint.
- \* Dimensional weight applies when shipped as a parcel package (via FedEx or UPS Ground).
- \*\*\* X, Y indicate mounting holes. See page 2. (Also applies for external mounting brackets.)



Power rewind shown



## Series 6000

- Washdown Operations • Tank Filling
- Water Blasting\* • Sewer Cleaning\*

### To handle single 1/2" through 1" I.D. hose.

- Heavy-duty reel for longer lengths of hose.
- Choose gear-driven crank rewind or chain and sprocket drive powered by an electric, hydraulic or compressed air motor.
- Crank rewind reels supplied with pinion brake; power rewind reels with a strap brake.
- Standard inlet: 90° ball bearing swivel joint, 1" female NPT threads.
- Standard outlet: 1" female NPT threads.
- Standard: inlet, outlet riser, and hub assembly are steel. Options: swivel joint also available in aluminum or stainless steel. Riser and hub assembly also available in stainless steel.
- Standard pressures to 2000 psi (138 bar), available up to 5000 psi (345 bar) – must specify.
- Temperatures from -60°F to +250°F (-51°C to +121°C).
- Rollers and roller mounting brackets are accessory items. Specify roller position.
- Optional chain guard available upon request, must be specified.

\* Heavy-duty construction required for water blasting and sewer cleaning applications. Consult factory.



Electric rewind  
Standard  
configuration  
shown



### Optional Auxiliary Rewind

Ring and pinion shaft rewind unit with removable crank handle.



Optional Assembly  
C2 roller top wind  
and auxiliary  
rewind shown



# Series 6000

- Washdown Operations • Tank Filling
- Water Blasting • Sewer Cleaning

## PARTS DRAWING – ISO 84

Model Number For power rewind see Note 5	Hose Capacity of Reel feet m				Approx. Weight Crank Rewind lb. kg see Note 4		Reel Dimensions*** In. mm									
	I.D. in. mm	1/2 13	3/4 19	1 25	NET	SHIP	A	B	D	E	F CRANK	F POWER	G	H	X	Y
	O.D. in. mm	7/8 22	1-9/32 33	1-9/16 40												
<b>6024-19-21</b>		<b>200</b> 61	<b>100</b> 30	<b>60</b> 18	<b>85</b> 39	<b>127</b> 58	<b>21</b> 533	<b>15.5</b> 394	<b>20.5</b> 521	<b>18.75</b> 476	<b>25.38</b> 645	<b>28.5</b> 724	<b>21.5</b> 546	<b>12.12</b> 308	<b>13</b> 330	<b>16.75</b> 425
<b>6032-19-21</b>		<b>350</b> 107	<b>175</b> 53	<b>85</b> 26	<b>102</b> 46	<b>144</b> 65	<b>29.5</b> 749	<b>24</b> 610	<b>20.5</b> 521	<b>18.75</b> 476	<b>33.88</b> 861	<b>37</b> 940	<b>21.5</b> 546	<b>12.12</b> 308	<b>21.5</b> 546	<b>16.75</b> 425
<b>6024-23-24</b>		<b>400</b> 122	<b>150</b> 46	<b>100</b> 30	<b>92</b> 42	<b>134</b> 61	<b>21</b> 533	<b>15.5</b> 394	<b>20.5</b> 521	<b>22.75</b> 578	<b>25.38</b> 645	<b>28.5</b> 724	<b>23.5</b> 597	<b>12.12</b> 308	<b>13</b> 330	<b>16.75</b> 425
<b>6030-23-24</b>		-	<b>225</b> 68	<b>150</b> 46	<b>105</b> 48	<b>147</b> 67	<b>27.5</b> 699	<b>22</b> 559	<b>20.5</b> 521	<b>22.75</b> 578	<b>31.88</b> 810	<b>35</b> 889	<b>23.5</b> 597	<b>12.12</b> 308	<b>19.5</b> 495	<b>16.75</b> 425
<b>6038-23-24</b>		-	<b>300</b> 91	<b>175</b> 53	<b>120</b> 54	<b>162</b> 73	<b>35</b> 889	<b>29.5</b> 749	<b>20.5</b> 521	<b>22.75</b> 578	<b>39.38</b> 1000	<b>42.5</b> 1080	<b>23.5</b> 597	<b>12.12</b> 308	<b>27</b> 686	<b>16.75</b> 425
<b>6016-25-26</b>		<b>250</b> 76	<b>100</b> 30	<b>60</b> 18	<b>88</b> 40	<b>130</b> 59	<b>13</b> 330	<b>7.5</b> 191	<b>25.5</b> 648	<b>24.75</b> 629	<b>17.38</b> 441	<b>20.5</b> 521	<b>27.88</b> 708	<b>15.5</b> 394	<b>7.75</b> 197	<b>21.75</b> 552
<b>6022-25-26</b>		<b>450</b> 137	<b>175</b> 53	<b>100</b> 30	<b>100</b> 45	<b>142</b> 64	<b>19</b> 483	<b>13.5</b> 343	<b>25.5</b> 648	<b>24.75</b> 629	<b>23.38</b> 594	<b>26.5</b> 673	<b>27.88</b> 708	<b>15.5</b> 394	<b>11</b> 279	<b>21.75</b> 552
<b>6028-25-26</b>		-	<b>275</b> 84	<b>175</b> 53	<b>113</b> 51	<b>155</b> 70	<b>25.5</b> 648	<b>20</b> 508	<b>25.5</b> 648	<b>24.75</b> 629	<b>29.88</b> 759	<b>33</b> 838	<b>27.88</b> 708	<b>15.5</b> 394	<b>17.5</b> 445	<b>21.75</b> 552
<b>6018-30-31</b>		<b>400</b> 122	<b>200</b> 61	<b>125</b> 38	<b>101</b> 46	<b>151</b> 68	<b>15</b> 381	<b>9.5</b> 241	<b>25.5</b> 648	<b>28.75</b> 730	<b>19.38</b> 492	<b>22.5</b> 572	<b>29.88</b> 759	<b>15.5</b> 394	<b>7</b> 178	<b>21.75</b> 552
<b>6024-30-31</b>		-	<b>350</b> 107	<b>175</b> 53	<b>113</b> 51	<b>163</b> 74	<b>21</b> 533	<b>15.5</b> 394	<b>25.5</b> 648	<b>28.75</b> 730	<b>25.38</b> 645	<b>28.5</b> 724	<b>29.88</b> 759	<b>15.5</b> 394	<b>13</b> 330	<b>21.75</b> 552
<b>6028-30-31</b>		-	<b>450</b> 137	<b>250</b> 76	<b>121</b> 55	<b>171</b> 78	<b>25.5</b> 648	<b>20</b> 508	<b>25.5</b> 648	<b>28.75</b> 730	<b>29.88</b> 759	<b>33</b> 838	<b>29.88</b> 759	<b>15.5</b> 394	<b>17.5</b> 445	<b>21.75</b> 552
† <b>6030-30-31</b>		-	<b>500</b> 152	<b>275</b> 84	<b>125</b> 57	<b>175</b> 79	<b>27.5</b> 699	<b>22</b> 559	<b>25.5</b> 648	<b>28.75</b> 730	<b>31.88</b> 810	<b>35</b> 889	<b>29.88</b> 759	<b>15.5</b> 394	<b>19.5</b> 495	<b>21.75</b> 552
† <b>6028-33-34</b>		-	<b>550</b> 168	<b>300</b> 91	<b>129</b> 59	<b>179</b> 81	<b>25</b> 635	<b>20</b> 508	<b>31.5</b> 800	<b>31.75</b> 806	<b>29.62</b> 752	<b>32.75</b> 832	<b>33.62</b> 854	<b>17.75</b> 451	<b>17.5</b> 445	<b>27.75</b> 705

**Notes:**

- Specifications subject to change.
- Upon request, reels can be supplied with drum lengths other than shown and with disc sizes in other diameters.
- Dimensions shown for reels up to and including 30-31 disc size reflect pressed frames. All others are rollformed channel frames.
- Weights shown in chart are for crank rewind models. ADD these amounts for power rewind models.

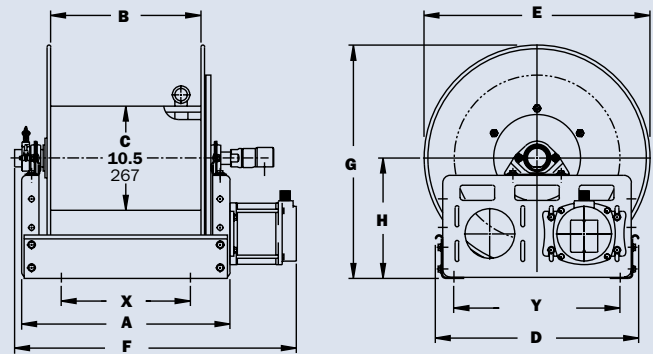
	Net lbs/kg	Ship lbs/kg
<b>Electric</b>	<b>40/18.1</b>	<b>40/18.1</b>
<b>Hydraulic</b>	<b>20/9.1</b>	<b>20/9.1</b>
<b>Air</b>	<b>20/9.1</b>	<b>20/9.1</b>

- When ordering power rewind models, prefix model number with:
  - A** = Air Rewind – Supplied with control valve and 18" air hose.
  - EP** = Electric Rewind (1/2 HP) – 12v and 24v DC rewind reels are supplied with switch and solenoid; 115v AC rewind reels are not supplied with switch but can be ordered separately.
  - HD** = Hydraulic Rewind – Not supplied with control valve.
- Finish:** Refer to page 3.
- Be sure to check dimensions and weights prior to ordering.**

**NOTICE:** A flexible connector must be used between the inlet pipe and the inlet swivel joint.

\*\*\* X, Y indicate mounting holes. See page 2.

† Some applications require a clutch/reduction unit.



Power rewind shown



## Series RM

### To handle single 3/8" through 1/2" I.D. hose.

- Heavy-duty 12v DC 1/3 HP electric reel.
- Variable speed control allows user to choose comfortable unwind/rewind speed.
- Long-range handheld remote is weather- and impact-resistant. Features belt clip and small external antenna which allows up to 1,000 foot transmission range (line of sight).
- Fully adjustable brake prevents hose movement during transit.
- Standard inlet: 90° ball bearing swivel joint, 1/2" female NPT threads.
- Standard outlet: 1/2" female NPT.
- Optional outlet threads include 3/8" female NPT or 3/4" male GHT (garden hose thread). Must specify outlet when ordering.
- Pressures to 3000 psi (207 bar).
- Temperatures from +20°F to +400° (-7°C to +204°C).
- Optional chain guard available upon request, must be specified.

### Other Control Features:

- The RM motor controllers have no electromechanical components that can break (relays, solenoids, circuit breakers).
- All functions are performed with state-of-the-art, military grade, environmentally sealed electronics.
- Over current, over temperature, and under voltage protection are all built into the electronics to ensure controller longevity.
- Automatic remote shut-off after 30 minutes.
- Proprietary software and controls to eliminate wireless interference.
- Speed control settings are adjustable while reel is operational and controller will remember last setting even when powered off.



**RME 6014-28-29-8**

Shown with 300 ft. of 3/8" hose (not included) and optional chain guard



**RM Remote**

Long-range handheld remote control

Standard with belt clip

### PARTS DRAWING – ISO 221

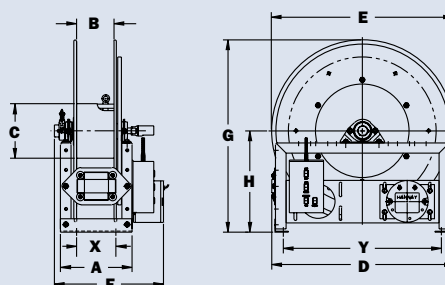
Model Number	Hose Capacity of Reel feet m			Approx. Weight lb. kg		Reel Dimensions*** in. mm									
	I.D. in. mm	3/8 10	1/2 13	NET	SHIP	A	B	C	D	E	F	G	H	X	Y
	O.D. in. mm	5/8 16	7/8 22												
<b>RME6014-28-29-8</b>	<b>300</b>	<b>150</b>		<b>130</b>	<b>160</b>	<b>10.5</b>	<b>5.5</b>	<b>8</b>	<b>27</b>	<b>26.75</b>	<b>16.5</b>	<b>28.25</b>	<b>14.88</b>	<b>5.75</b>	<b>23.25</b>
	91	46		59	73	267	140	203	686	679	419	718	378	146	591
<b>RME6014-33-34-10.5</b>	<b>500</b>	<b>300</b>		<b>137</b>	<b>167</b>	<b>10.5</b>	<b>5.5</b>	<b>10.5</b>	<b>31.5</b>	<b>31.75</b>	<b>16.5</b>	<b>33.63</b>	<b>17.75</b>	<b>5.75</b>	<b>27.75</b>
	152	91		62	76	267	140	267	800	806	419	854	451	146	705

#### Notes:

1. Specifications subject to change.
2. **Finish:** Refer to page 3.
3. **Be sure to check dimensions and weights prior to ordering.**
4. Above reels cannot be shipped via parcel post (UPS or FedEx Ground).

**NOTICE:** A flexible connector must be used between the inlet pipe and the inlet swivel joint.

\*\*\* X, Y indicate mounting holes. See page 2.



# Hose Reel **Spec Worksheet**

To specify Hannay reels, fill out this simple form and mail or fax it to your dealer.  
Photocopy this page or download and print from [hannay.com](http://hannay.com)

## 1. Who is the reel for?

Contact			Date / /	
Company		Division		
Street Address				
City		State	Zip	Country
Telephone ( )			Fax ( )	

## 2. What is the reel for?

**HOSE** (check one):  Storage only  Live Single hose  Live Dual hose

Inside diameter:	Hose length:	Bend radius:	Flat hose dimensions:
Outside diameter:	Hose weight:	Coupling spacing:	

### Type of product handled live application (check one):

<input type="radio"/> Liquid (specify):	<input type="radio"/> Temperature:	<input type="radio"/> Oxygen/Acetylene:	<input type="radio"/> Other (specify):
<input type="radio"/> Gases (specify):	<input type="radio"/> Pressure:	<input type="radio"/> Hydraulic fluid (specify):	

**Fluid path type (check one):**  Steel (standard)  Aluminum  Stainless Steel  Other

**Reel inlet type (check one):**  Swivel joint 90° (standard)  Straight

**Reel outlet type (riser):** Size:

<b>Thread (check one):</b>	<input type="radio"/> National Pipe Thread (NPT)	<input type="radio"/> Joint Industry Committee (JIC)	<input type="radio"/> Other (specify):
	<input type="radio"/> National Standard Thread (NST)	<input type="radio"/> British Standard Pipe (BSP)	

## 3. What features does the reel need? Check type of rewind:

**MANUAL REWIND**

Disc rewind (hand over hand)  Gear-driven crank  Direct crank (permanent or removable)  Chain-driven crank

**POWER REWIND**

Spring  Air  Electric (voltage):  Hydraulic

**Type of installation (check one):**  Floor  Wall  Overhead  Vehicle

Temperature Range: Environment:

Accessories (if any): Hose Stop:  Yes  No

Roller Assemblies:

**Finish:**  Painted steel (standard)  Aluminum  Polished  Unpolished  Stainless steel  Polished  Unpolished

### Check type of installation and roller position for spring reels:

Drag Position SR  Lift Position VR  Stretch (no roller) Position TR  Wall Mount Position TR  Recovery (pick-up) (no roller)

Constant tension available on all roller positions

Indicate your custom specifications

## 4. Specifying Location of Components

### Optional Location of Components:

Location of the inlet, outlet riser, and rewind mechanism can be varied to meet your requirements and **must be specified on your order**. Unless otherwise specified, most reels will be shipped as **Right Top Rewind** with the inlet, outlet riser, and rewind mechanism on the operator's right.



**RT - Right Top Rewind**  
Standard - Always look at your reel from this position to determine right hand or left hand.



**RB - Right Bottom Rewind**



**LT - Left Top Rewind**  
Standard for 1500, 1800, 2000 & 4000 Series reels.



**LB - Left Bottom Rewind**

**Note:** Use component location initials as suffix after model number (ie: E1520-17-18 LT)

## 5. Please note size and/or weight limitations for your installation

SPECIFICATIONS

Depth: \_\_\_\_\_

Height: \_\_\_\_\_

Width: \_\_\_\_\_

Weight: \_\_\_\_\_

**For custom applications not found in our catalogs, call the Inside Sales Group at 518-797-3791.**



# You Can't Buy A Better Reel.

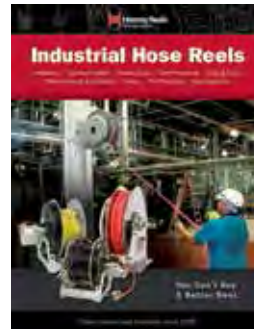
## Hannay Reels: The only reels you'll ever need.

Our rugged, dependable spray and pressure washing hose reels are constructed of high quality materials to provide years of reliable service with minimal maintenance. The heavy-duty design and construction of our reels ensure that they outperform and outlast the competition, while increasing productivity and helping to maintain a safer workplace.



### Here's what makes Hannay reels the industry choice:

- Multi-position roller assembly features dual arms to give maximum support from each side.
- Heavy 14-gauge disc has rolled edges that add rigidity and strength
- One-piece hub assembly for superior strength.
- Externally mounted spring motor and ratchet pawl lock for the most serviceable reel available.
- Drums are 304-grade stainless steel for maximum corrosion resistance.
- 11-gauge steel modular frame bolts easily to standard footprint patterns.
- Sealed axle bearings provide superior wear and effortless operation.



### Industrial Hose Reels

#### Includes specs and information on:

- High pressure spring rewind reels
- Compact manual rewind reels
- Power rewind reels
- Portable storage reels
- Hose assemblies



### Stainless Steel Reels

#### Comprehensive information on:

- Spring rewind reels
- Manual rewind reels
- Compact manual rewind reels
- Fuel reels

**View all our reel catalogs online at [hannay.com](http://hannay.com)**



Family owned and operated since 1933, Hannay Reels is the world leader in both OEM and aftermarket applications. Hannay offers thousands of standard hose reel and cable reel models, as well as unmatched custom capabilities. We can easily and affordably customize a reel to meet your exact specifications – built to last, delivered fast. Additional catalogs are available through your local Hannay Reels dealer or online at [hannay.com](http://hannay.com).



All Hannay reels are constructed of quality heavy gauge steel (optional aluminum or stainless steel also available on most models).