

# Utility Grounding Reels

For use on:

- Construction Vehicles
- Utility Vehicles
- Maintenance Vehicles
- Rescue & HazMat Vehicles

## Truck grounding reels.

- Easy cable pay-out.
- Quick and convenient rewind gets you back in service fast.
- Heavy-duty steel construction stands up to demanding field use.
- Direct access to lube rotary ground device.
- Serviceable pawl and pin assembly.
- Easily greaseable Zerk fitting.
- Independently tested to 43 kA for 30 cycles.<sup>1</sup>
- Bolt-down design.
- Manual or automatic spring rewind available.
- Helps meet OSHA requirements for vehicle grounding.<sup>2</sup>
- Supplied with or without optional cable and clamp.

<sup>1</sup> Although Hannay SGCR and GCR Series grounding reels are rated to 43 kA for 30 cycles (the maximum fault current rating for 4/0 cable), the size and spring pull force of the reel effectively limits use of these reels to 2/0 cable and smaller. 2/0 cable has a maximum fault current rating of 27 kA. Please refer to ASTM 855-90 (Standard Specification for Temporary Grounding Systems) for more information.

<sup>2</sup> OSHA Subpart V, Section 1926.952, requires grounding of vehicles working near energized lines or equipment. Hannay grounding reels help meet this requirement and encourage crew compliance by providing a simple, efficient method of handling heavy grounding cable.

## Model SGCR 10-17-19

### Spring Rewind Grounding Reel

- Fast, convenient automatic spring rewind.
- A ratchet mechanism locks the reel.
- Built-in cable hoop.
- Internal rotary device.



**Model SGCR 10-17-19**  
Spring rewind  
Standard configuration shown

## Model GCR 10-17-19

### Manual Rewind Grounding Reel

- Offers manual rewind with a hand crank permanently attached to the disc.
- Internal rotary device.



**Model GCR 10-17-19**  
Manual rewind  
Standard configuration shown

## Model GC 10-17-19

### Manual Storage Reel (Not Shown)

- Storage only.
- Manual rewind with a hand crank permanently attached to the disc.

## PARTS DRAWING – MODEL SGCR 10-17-19 – ISO 95

Model Number	Cable Capacity of Reel feet m				Approx. Weight lb. kg	
	O.D. in. mm	Ga./No. of Conductors			NET (less cable)	SHIP (less cable)
		#2	1/0	2/0		
<b>SGCR 10-17-19</b>	75	75	65	43	52	
	23	23	20	20	24	
<b>GCR 10-17-19</b>	150	90	90	30	36	
	46	27	27	14	16	
<b>GC 10-17-19</b>	150	90	90	28	34	
	46	27	27	13	15	

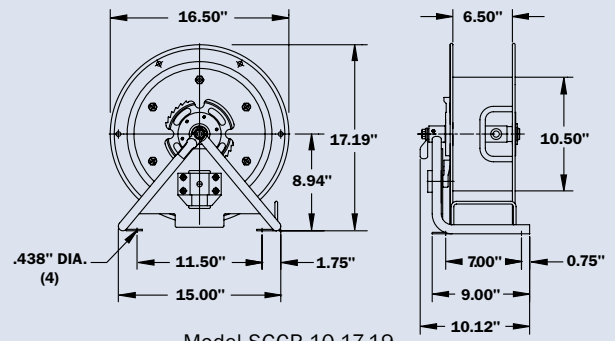
### Notes:

1. Specifications subject to change.
2. When ordering, specify model number, cable gauge, O.D., length, and coating if required.
3. Specify finish if other than standard. Reels can be shipped as a parcel package (via FedEx or UPS Ground).

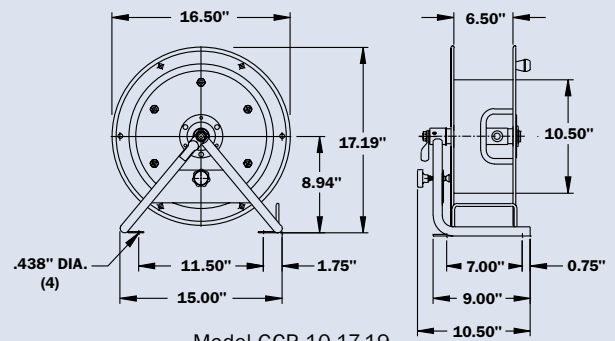
**Note:** If shipping reel with cable, add 16 lbs. for packaging, plus weight of cable.

### Cable Weights:

- #2 gauge = .28 lb/ft
- 1/0 gauge = .43 lb/ft
- 2/0 gauge = .52 lb/ft



Model SGCR 10-17-19



Model GCR 10-17-19



All Hannay reels are constructed of quality heavy gauge steel (optional aluminum or stainless steel also available on most models).



**REEL TECH PTY LTD**  
Australia & New Zealand

AU | reeltec.com.au  
Phone: +61 3 9583 2368  
Free call: 1800 REELIN

NZ | reeltec.co.nz  
Phone: +64 7 839 6444  
Free call: 0800 REELIN

sales@reeltech.com.au  
sales@reeltech.co.nz

