

Static Grounding Reels

WARNING

These reels are for static grounding ONLY.
NOT intended for lightning protection!

- Aircraft Refueling • Chemical Plants • Grain Elevators
- Rescue and HazMat Operations

For refueling or hazardous areas.

- These reels bond and/or ground aircraft, fuel trucks, and other equipment.
- Provide smooth operation and require minimum cable pull.
- Declutching arbor and adjustable guide arm with cable guide.
- Optional stainless steel construction of spool, frame, and ratchet system available on HGR Series.
- Standard finish is oven-cured enamel.
- Also available, manual rewind version. All shown with optional cable and/or "Y" branch.



Model HGR50
(Shown with optional "Y" branch)



Model SSHGR50
(Optional unpolished stainless steel HGR50)



Model MHGR50



Model HGR100



Model MHGR100



Model GR75



Model MGR75

You Can't Buy A Better Reel.

- Available with 1/8", 7 x 19 galvanized carbon steel cable.
- 100 amp alligator clamp.
- Stainless steel or plastic-covered cable and "Y" branches are available at an additional charge.
- Cable guide arm of cast aluminum and ZA-12 aluminum zinc alloy.

Series GR75

- Sealed spring is a good economical choice that's compact and lightweight.

Series HGR

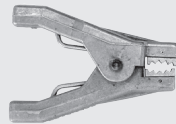
- A non-sparking ratchet assembly.
- Reels are repairable and parts are readily available.
- Supplied with 18" long grounding strap with eyelet connectors on both ends.

Parts Drawings: HGR Series – ISO 10 and MHGR Series – ISO 234

Model Number	Cable Capacity of Reel feet m	Approx. Weight lb. kg		Reel Dimensions*** in. mm									
		Without Cable	With Cable	A	B	C	D	E	F	G	H	X	Y
GR75	75 23	11 5	14* 6	2 51	2 51	7 178	9 229	9.25 235	3.5 89	9.88 251	5.06 129	1 25	7.88 200
† MGR75	75† 23†	11 5	13* 6	2 51	2 51	7 178	9 229	9.25 235	5.25 133	9.88 251	5.06 129	1 25	7.88 200
HGR50	75 23	28 13	30* 14	4 102	1.25 32	10.75 273	11.5 292	14.25 362	5.5 159	16.75 425	8.88 226	2.38 60	7.5 191
† MHGR50	125† 38†	19 9	23* 10	4 102	1.25 32	10.75 273	11.5 292	14.25 362	6.25 159	16.75 425	8.88 226	2.38 60	7.5 191
HGR100	100 30	37 17	41* 19	4 102	1.25 32	13.25 337	11.5 292	16.75 425	5.5 140	17.75 451	8.88 226	2.38 60	7.5 191
† MHGR100	175† 53†	25 11	31* 14	4 102	1.25 32	13.25 337	11.5 292	16.75 425	6.25 159	17.75 451	8.88 226	2.38 60	7.5 191



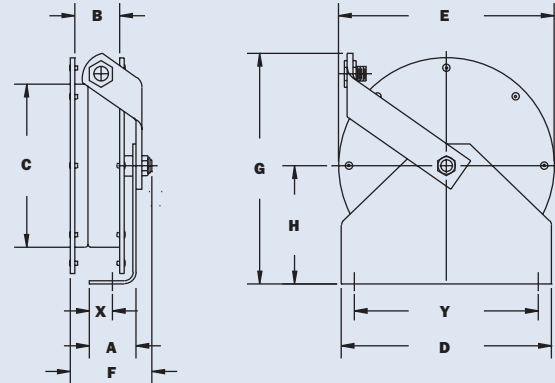
Optional Grounding Jack
per MIL-C-8341D/4
Part No. 9951.0033



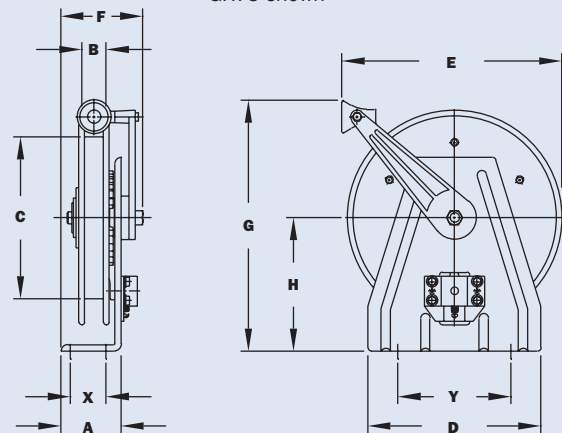
Optional Browne Clamp
(ALS-10)
Part No. 9951.0031

Notes:

1. Specifications subject to change.
 2. When ordering, specify model number, gauge, O.D., length, and coating if required.
 3. Specify "Y" branch if required.
 4. Specify finish if other than standard.
- *Reels can be shipped as a parcel package (via FedEx or UPS Ground).
*** X, Y indicate mounting holes.
† Capacities shown are for PCC (plastic coated cable). Capacities may be higher for uncoated cable; consult factory.



Model GR75/MGR75
GR75 shown



Model HGR50/HGR100/MHGR50
HGR shown



All Hannay reels are constructed of quality heavy gauge steel (optional aluminum or stainless steel also available on most models).

Hannay Reels®
The reel leader.

REEL TECH
Toughest for the Roughest



REEL TECH PTY LTD
Australia & New Zealand

AU | reeltec.com.au
Phone: +61 3 9583 2368
Free call: 1800 REELIN

NZ | reeltec.co.nz
Phone: +64 7 839 6444
Free call: 0800 REELIN

sales@reeltech.com.au
sales@reeltech.co.nz

